

Fig 3. Flange bolt-in kingpin attachment (AS 2175-1990)

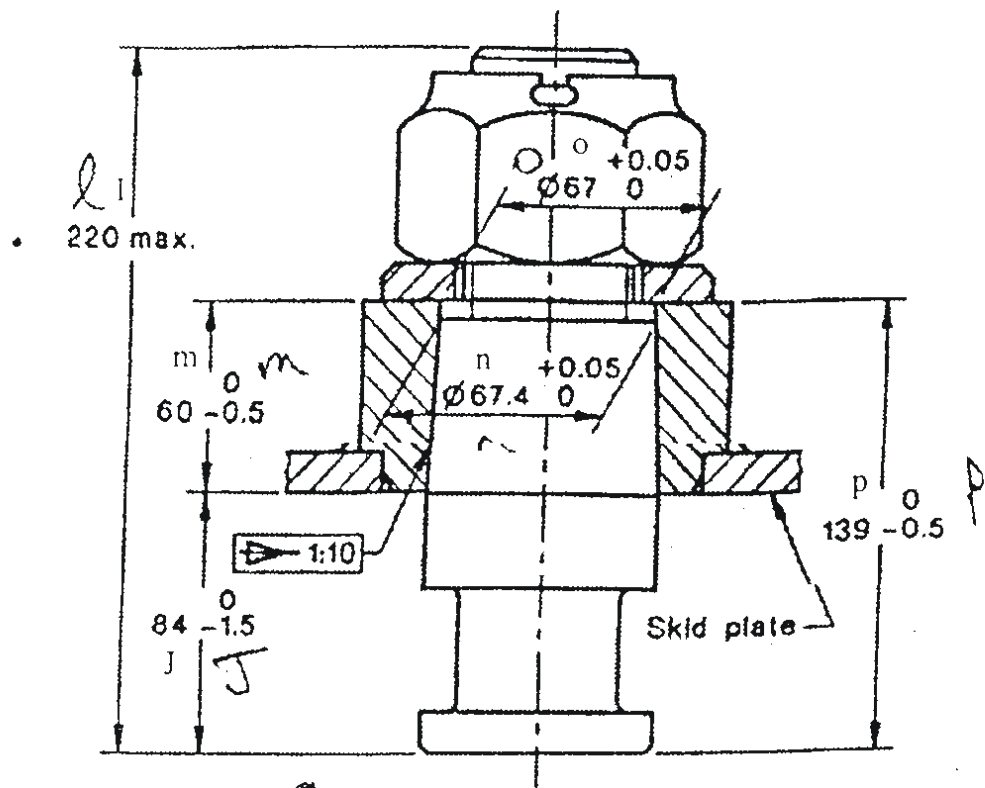


Fig 4. Taper bolt-in kingpin attachment (AS 2175-1990)