

Fig 5. Flange weld-in kingpin attachment (AS 2175-1990)

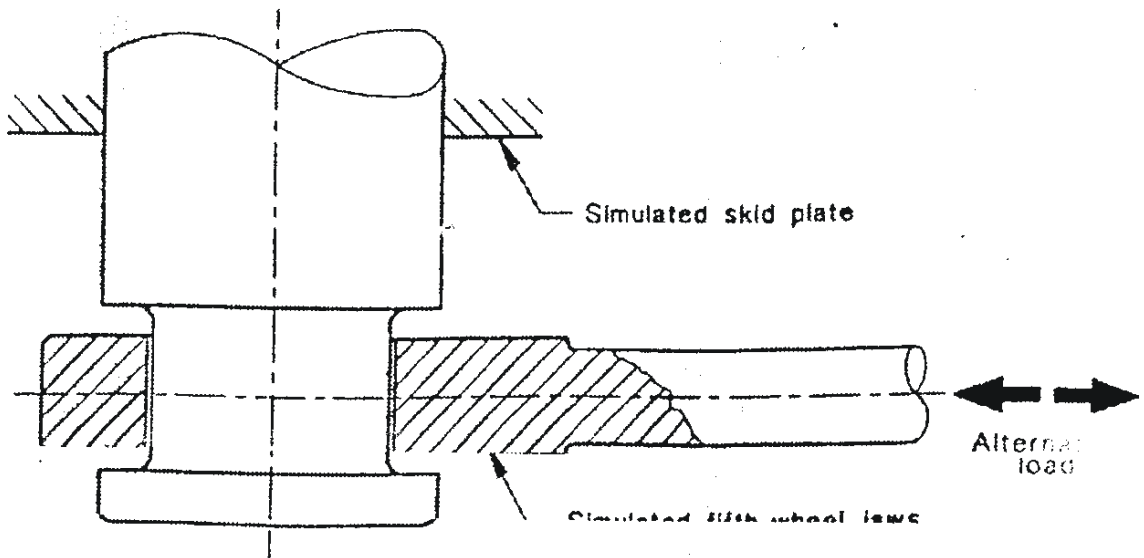


Fig 6. AS 2175-1990 kingpin test load application